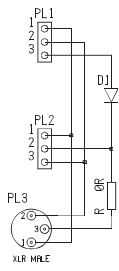
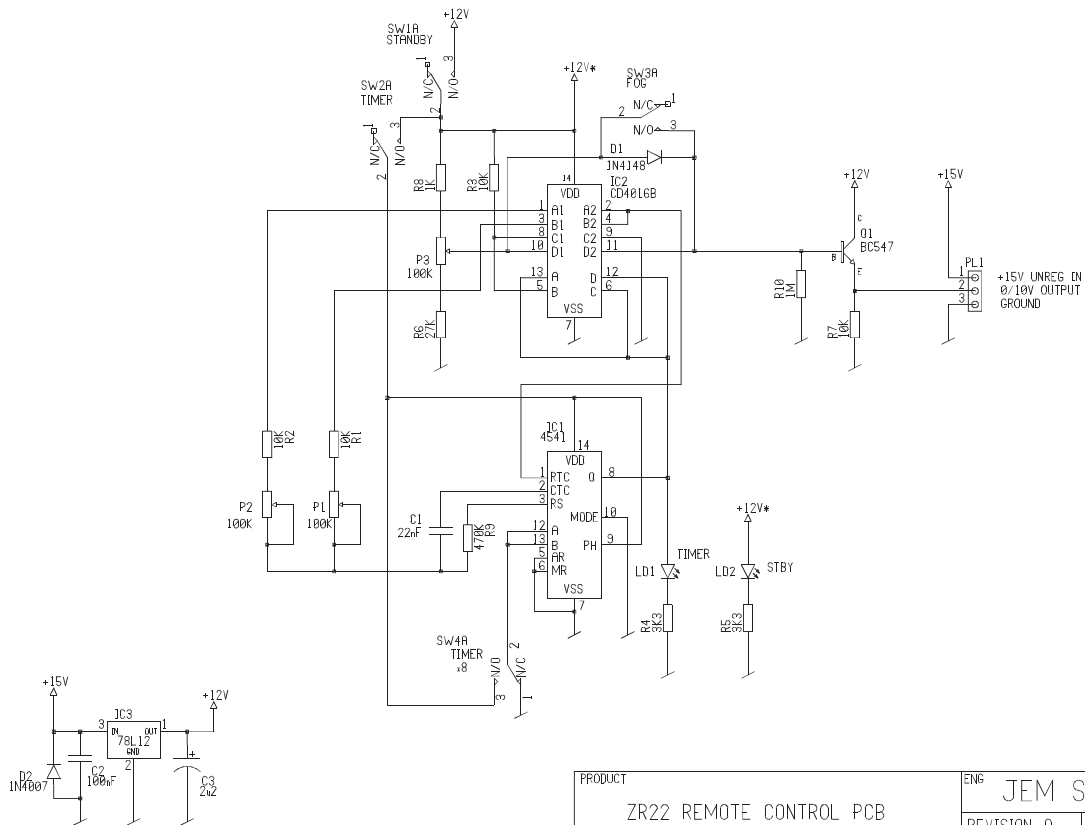


PRODUCT		ENG	
ZR22 MAIN PCB SCHEMATIC		Martin Professional A/S	
NAME	174002 SCH/103020B PCB	REVISION	A
		PAGE	1 OF 1
		DRAWN BY	NJS
		DATE	28/08/98
		TIME	13:31



PRODUCT		ENG	
ZR22 INTERFACE PCB		JEM SMOKE PLC	
NAME		REVISION A	PAGE 1 OF 1
174003 SCH/37053A PCB		DRAWN BY NJS	
		DATE 5/8/98	TIME 10 57



PRODUCT		ENG	
ZR22 REMOTE CONTROL PCB		JEM SMOKE PLC	
REVISION A	PAGE 1	OF 1	
NAME		DRAWN BY NJS	
174005 SCH/37045A PCB		DATE 20/8/98	TIME 10:57